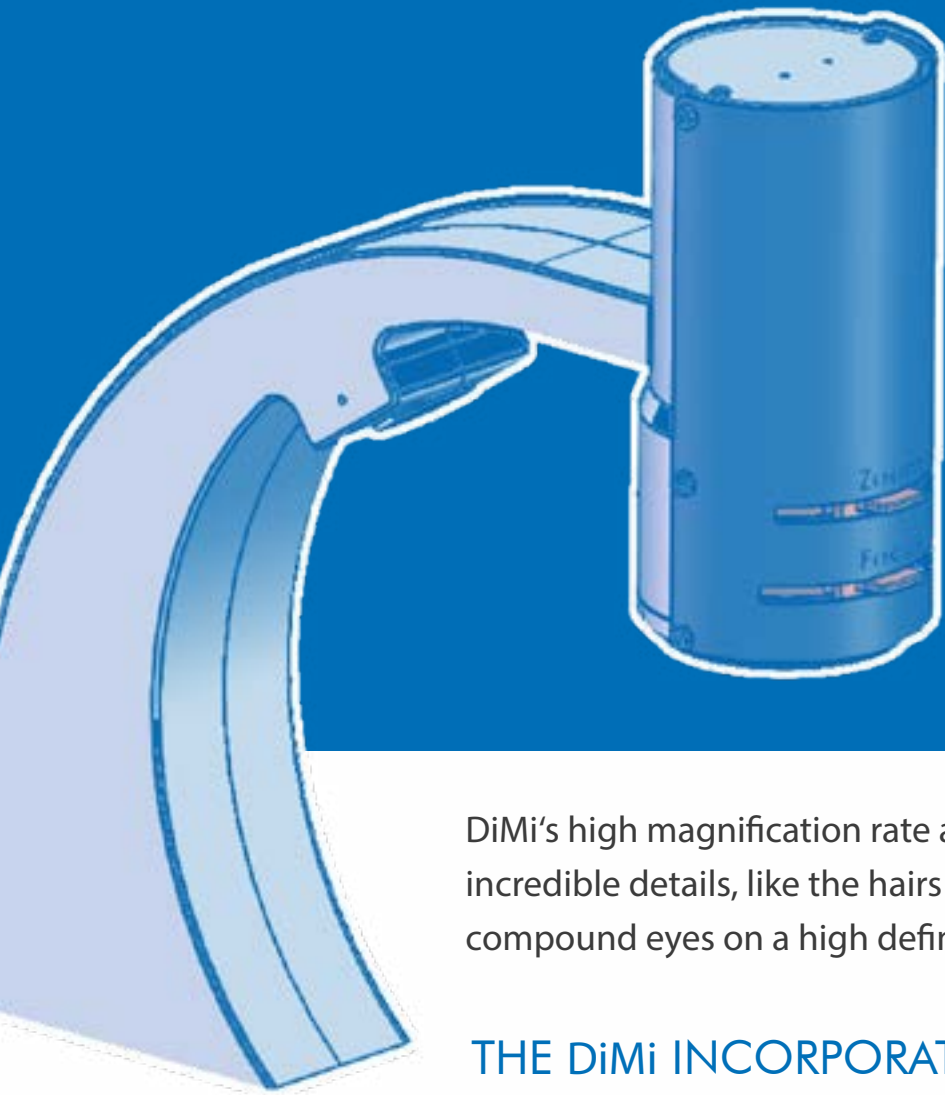




# DiMi

DIGITAL MICROSCOPE FOR PUBLIC SPACES



Meet DiMi, our digital microscope for public spaces. With DiMi visitors of all ages and backgrounds have a simple and intuitive way to peer into the microworld! Robust design and simple interfaces make it a perfect fit for all public spaces with high visitor traffic and restricted supervision such as Museums, Science Centers, Children's Museums and Visitor Centers.

DiMi's high magnification rate allows the clear observation of incredible details, like the hairs on a fly's legs or the facets of their compound eyes on a high definition screen.

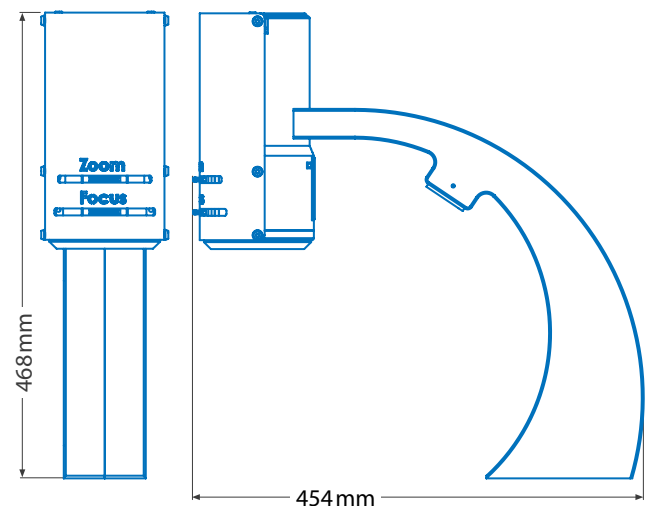
## THE DiMi INCORPORATES HIGH-RESOLUTION WIDESCREEN CAMERA TECHNOLOGY, ENABLING YOU TO:

- Explore a vast array of microscopic specimens through a HD monitor or projector.
- Dig into the intricate details of stones, fossils, shells, insects, flowers, feathers, textiles, coins, circuit boards, ...
- Engage in tactile experiences, even for the youngest visitors, thanks to the user-friendly and seamlessly adjustable zoom function.
- Expand the range of viewing experiences with an assortment of supplementary accessories.
- Add a rugged and reliable video microscope seamlessly into your existing exhibitions, traveling displays, or for outreach.

**DiMi – Your Portal to Microscopic Marvels!**

## SPECIFICATION

CAMERA RESOLUTION	HD1080p, 1920 x 1080 pixels @ 30 fps
FORMAT	16:9 widescreen
LENS	Macro zoom, 10:1ratio with zoom and focus control; height of viewed specimens up to 100 mm
MAGNIFICATION	5x - 50x @22 inch screens
FIELD OF VIEW	Changes with specimen height and zoom level
ILLUMINATION	Reflected light. 3W LED spotlight, white, approx. 4000K
VIDEO CONNECTION	Standard HDMI; Option: USB-Connection to PCs
POWER	DC 12V and 100-240V 50/60Hz with supplied power-adaptor
POWER CONSUMPTION	1.0A @ 12V (camera and light)
OPERATION	From +10°C to +40°C (non-condensing)
HEIGHT	468 mm
WEIGHT	8.5 kg
COLOR	RAL 9007 grey aluminium
COUNTRY OF ORIGIN	Germany



## OPTIONS AND SUPPLEMENTS

PUBLIC DISPLAYS	Screens in different sizes with table- and wall mounts to hide connections and buttons designed in the same color code as the microscope.
Color Options	Choose the color of the unit from the RAL range to adapt the design to your exhibition styleguide.
BASE PLATE	Make DiMi mobile and independent from tables.
TRANSLUCENT PLINTH	To reveal details of translucent objects.
SPECIMEN TURNTABLE	A rotating turntable that can hold multiple samples.
POLARISATOR	In combination with the translucent plinth, see your samples under polarised light.



Kurt Hüttinger GmbH & Co. KG  
Mittelbügweg 90  
90571 Schwaig bei Nürnberg  
Germany



[info@huettinger.de](mailto:info@huettinger.de)



[www.huettinger.de](http://www.huettinger.de)



[@huettinger.de](https://www.facebook.com/huettinger.de)



[@huettingerexhibits](https://www.youtube.com/huettingerexhibits)



[@huettinger.de](https://www.instagram.com/huettinger.de)



[@h-ttinger-interactive-exhibitions](https://www.linkedin.com/company/h-ttinger-interactive-exhibitions)



[dimi-digital-microscope.com](http://dimi-digital-microscope.com)