



**Dimi**  
DIGITAL MICROSCOPE

for public spaces



Meet **DiMi**, our digital microscope for public spaces. With DiMi visitors of all ages and backgrounds have a simple and intuitive way to peer into the microworld! Robust design and simple interfaces make it a perfect fit for all public spaces with high visitor traffic and restricted supervision such as Museums, Science Centers, Children's Museums and Visitor Centers.

**DiMi's** high magnification rate allows the clear observation of incredible details, like the hairs on a fly's legs or the facets of their compound eyes on a high definition screen.

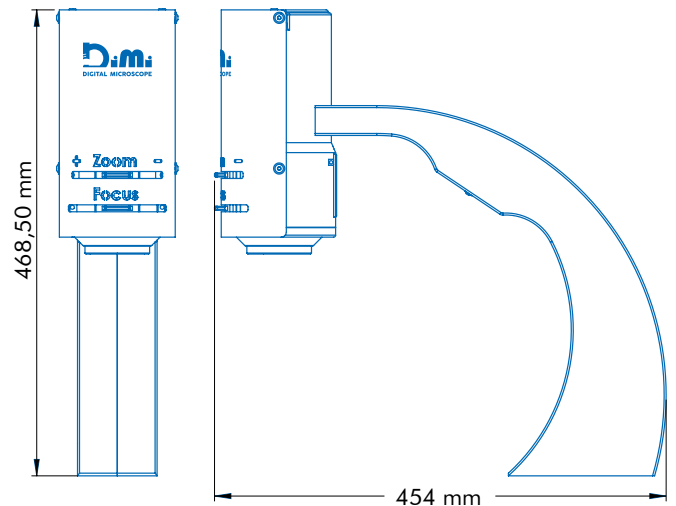
## THE **DiMi** INCORPORATES HIGH-RESOLUTION WIDESCREEN CAMERA TECHNOLOGY, ENABLING YOU TO:

- Explore a vast array of microscopic specimens through a HD monitor or projector.
- Dig into the intricate details of stones, fossils, shells, insects, flowers, feathers, textiles, coins, circuit boards, ...
- Engage in tactile experiences, even for the youngest visitors, thanks to the user-friendly and seamlessly adjustable zoom function.
- Expand the range of viewing experiences with an assortment of supplementary accessories.
- Add a rugged and reliable video microscope seamlessly into your existing exhibitions, traveling displays, or for outreach.

**DiMi** – Your Portal to Microscopic Marvels!

## SPECIFICATION

|                   |   |
|-------------------|---|
| CAMERA RESOLUTION | HD1080p, 1920 x 1080 pixels @ 30 fps  |
| FORMAT            | 16:9 widescreen   |
| LENS              | Macro zoom, 10:1 ratio with zoom and focus control; height of viewed specimens up to 100 mm |
| MAGNIFICATION     | 4x–40x @22 inch screens   |
| FIELD OF VIEW     | Changes with specimen height and zoom level   |
| ILLUMINATION      | Reflected light. 3W LED spotlight, white, approx. 4000K                                     |
| VIDEO CONNECTION  | Standard HDMI   |
| POWER             | DC 12V and 100-240V 50/60Hz with supplied power-adaptor                                     |
| POWER CONSUMPTION | 1.0A @ 12V (camera and light)   |
| OPERATION         | From +10°C to +40°C (non-condensing)  |
| HEIGHT            | 468 mm  |
| WEIGHT            | 8.5 kg  |
| COLOR             | RAL 9007<br>grey aluminium  |
| WARRANTY          | 12 months   |
| COUNTRY OF ORIGIN | Germany   |



## OPTIONS AND SUPPLEMENTS

|                    |   |
|--------------------|---|
| PUBLIC DISPLAYS    | Screens in different sizes with table- and wall mounts to hide connections and buttons designed in the same color code as the microscope. |
| Color Options      | Choose the color of the unit from the RAL range to adapt the design to your exhibition styleguide.  |
| BASE PLATE         | Make DiMi mobile and independent from tables.   |
| TRANSLUCENT PLINTH | To reveal details of translucent objects.   |
| SPECIMEN TURNTABLE | A rotating turntable that can hold multiple samples.  |
| POLARISATOR        | In combination with the translucent plinth, see your samples under polarised light.   |



Kurt Hüttinger GmbH & Co. KG  
Mittelbügweg 90  
90571 Schwaig bei Nürnberg  
Germany



[info@huettinger.de](mailto:info@huettinger.de)



[www.huettinger.de](http://www.huettinger.de)



[@huettinger.de](https://www.facebook.com/huettinger.de)



[@huettingerexhibits](https://www.youtube.com/huettingerexhibits)



[@huettinger.de](https://www.instagram.com/huettinger.de)



[@h-ttinger-interactive-exhibitions](https://www.linkedin.com/company/h-ttinger-interactive-exhibitions)



[dimi-digital-microscope.com](http://dimi-digital-microscope.com)